

Flourishing Vase

Designed by Felice Regina of I Am Luna Sol

Featuring Flourish by Mia Whittemore

SIZE: 16" x 18 1/2"



FREE
PROJECT

PLEASE NOTE: BEFORE MAKING YOUR PROJECT, CHECK FOR ANY PATTERN UPDATES AT WINDHAMFABRICS.COM'S FREE PROJECTS SECTION.

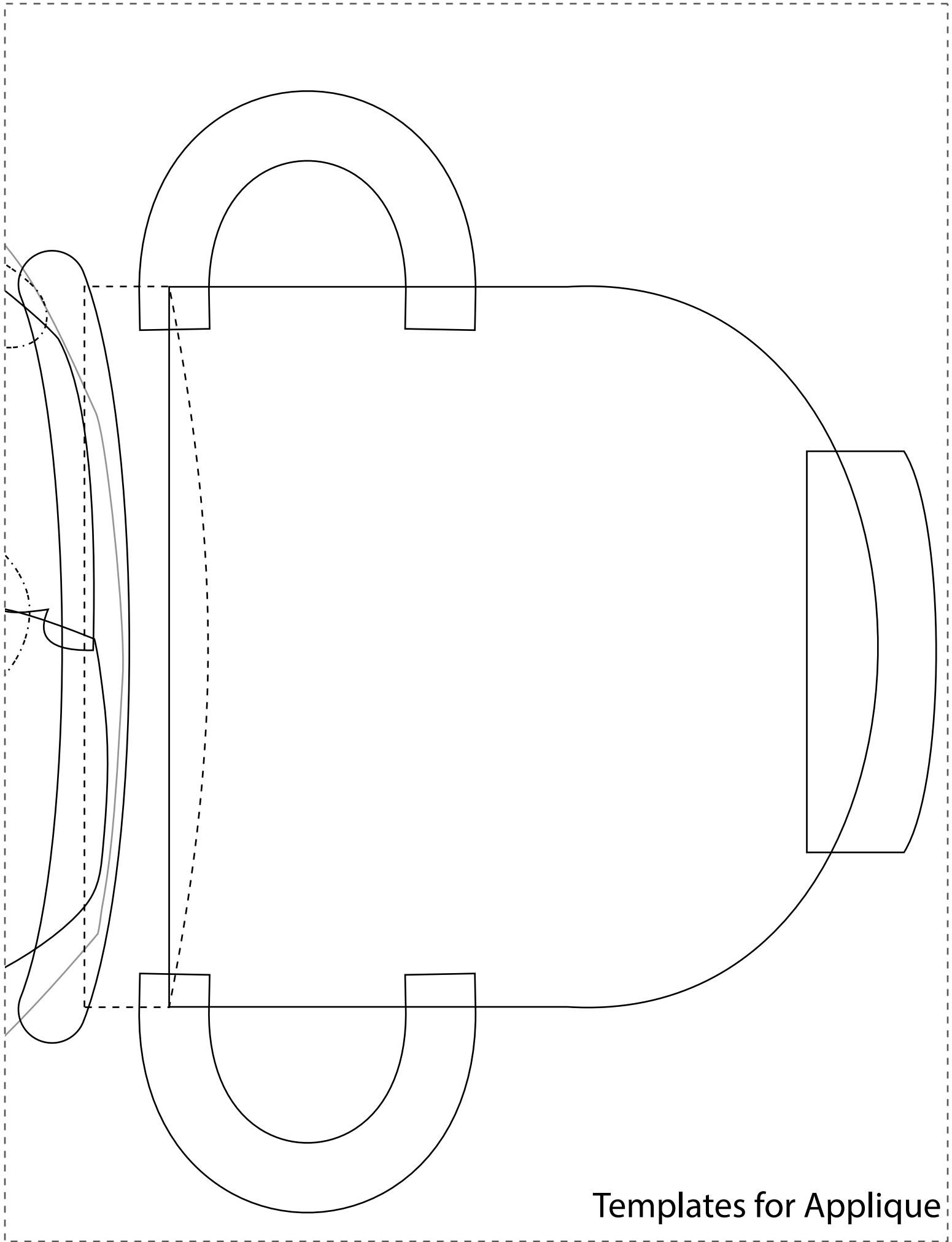


Flourishing Vase

KEY	FABRIC	SKU	YD
A		43508-2 Yellow	FQ
B		43509-3 Berry	FQ
C		43509-4 Blue	FQ
D		43510-5 Green	FQ
E		43511-4 Blue	FQ
F		43512-2 Yellow	FQ
G		43512-3 Berry	FQ
H		43513-5 Green	FQ
I		318355 White	FQ
		18" x 21" piece of batting	
		18" x 21" piece of fabric for backing	

Instructions

1. Trace the applique templates onto the paper side of the fusible web. Fuse each piece to to the wrong side of the corresponding fabric print according to manufacturer's instructions. Cut each shape out.
2. Remove the paper from the applique pieces. To assemble your applique, lay a piece of parchment paper over the Applique Diagram. Starting with the bottommost layers, fuse your pieces together on top of the parchment. Once the entire piece is fused, carefully peel the applique off of the parchment, position on your background fabric, and fuse in place. Position the remaining flowers on the background and fuse.
3. Stitch around the raw edges of the applique with zig zag, applique, or blanket stitch. Alternatively, you can skip this step and use the quilting to secure your applique.
4. Make your quilt sandwich with your quilt top, batting, and backing. Baste the layers together, making sure everything is smooth. Quilt as desired.
5. Use the Background Template to trim your quilt sandwich to an oval.
6. For your binding, cut 2½" wide strips on the bias from your binding fat quarter and sew end to end with a diagonal seam. You will need 60" of binding. Bind by hand or machine as desired.



Templates for Applique



Background Template

This square
should
measure
1" x 1"

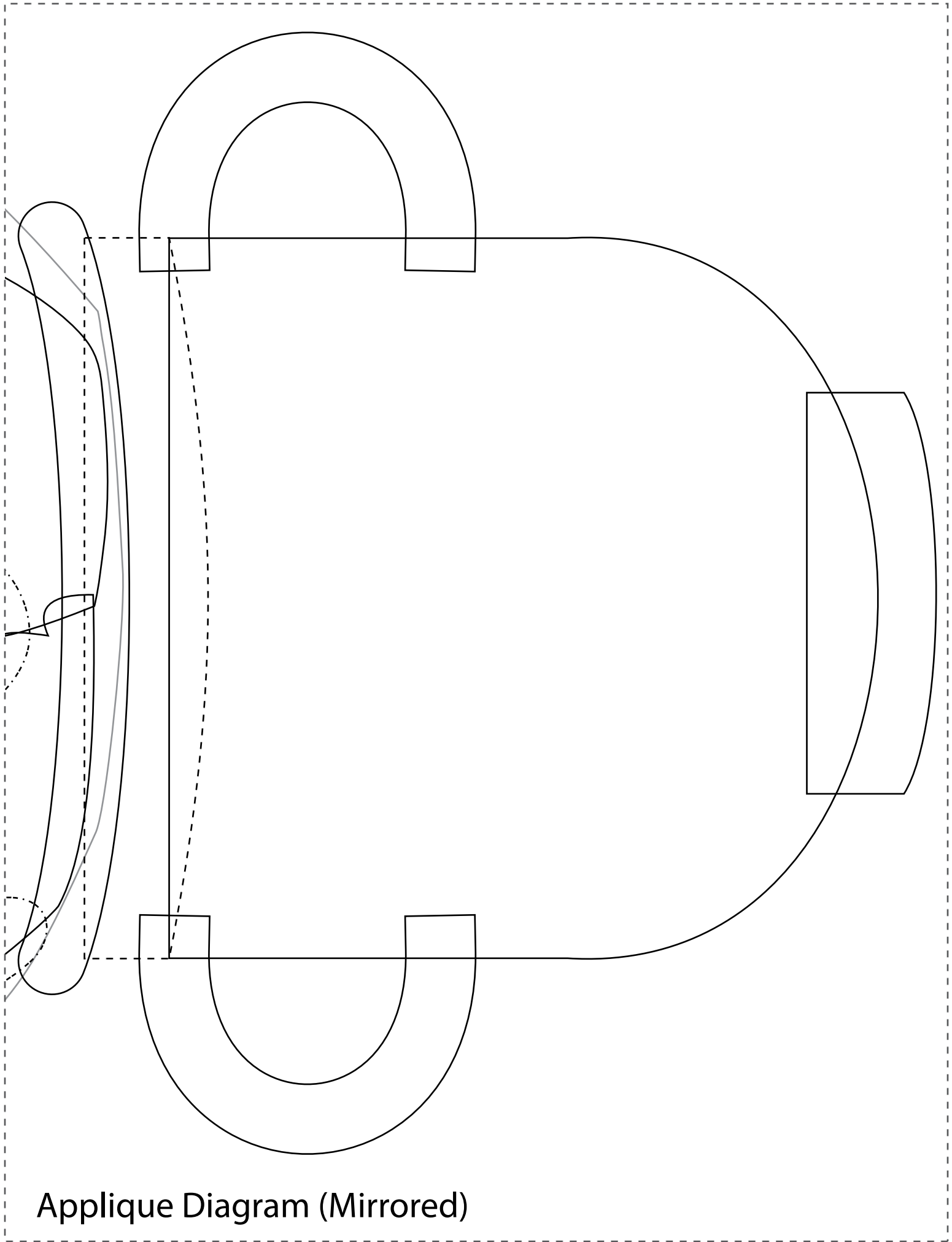


Templates for Applique

This square
should
measure
1" x 1"



Applique Diagram (Mirrored)



Applique Diagram (Mirrored)